

SMC Pressure Switch

Series IS

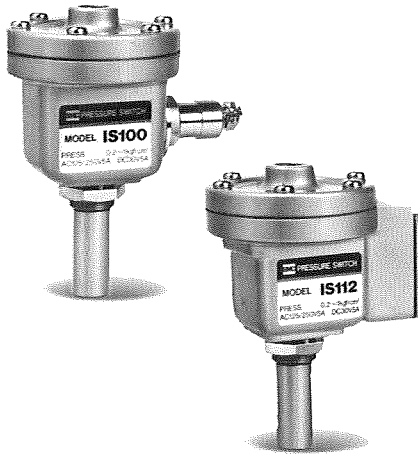
Receives an input of 0.2 to 1 kgf/cm² and transmits an electric output at the set point.

Can be used for pneumatic instrument process control with a combined function of controller and telemeter.

High performance.

Can be mounted in any position.

Compact and light weight.



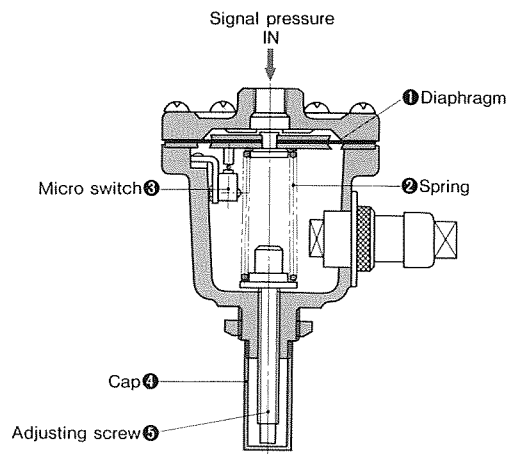
Specifications

Set pressure range	0.2~1kgf/cm ²
Differential	Within 12mm Hg (Fixed)
Ambient and fluid temperature	-5~60°C
Contact	N.O. or N.C. 2 contacts
Capacity	AC125/250V5A, DC30V5A
Connection	¼

Model

Model	Electrical connection
IS100-02	3-pin plug and socket (Std.)
IS101-02	External terminals
IS101-02J	External terminal and fitting on inlet
IS112-02	Enclosed terminals (Wire through bushing)
IS113-02	Enclosed terminals (Cable glands for electric appliance)
IS114-02	Enclosed terminals (Conduit entry)

Construction



Operation

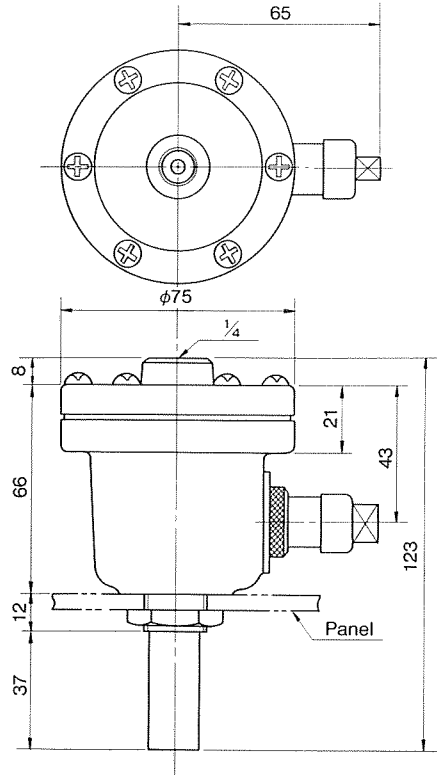
Signal pressure enters the chamber above diaphragm ① and exerts downward force compressing spring ②. After sufficient deflection, contact with the plunger of the micro switch ③ is made operating the electrical circuit. As overtravel of diaphragm is prevented by an internal stop the micro switch is not subject to

extra load with increased pressure.

On decrease of signal pressure the electrical circuit function is reversed. Contacts are available for N.C. or N.O. operation. Adjustment is carried out by removing cap ④ and rotating adjusting screw as required changing spring load.

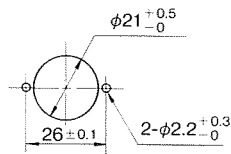
Series IS

Dimensions (mm)



- ① N.C. terminal
- ② Common Terminal
- ③ N.O. Terminal

Plug pin arrangement



Panel mounting hole